

NPT-029-SA REFRIGERATED SALAD PREP TABLE

Ideal for commercial kitchens, restaurants & food processing spaces



FEATURES

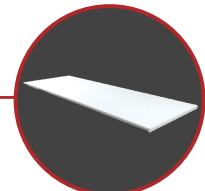


Clear plastic 1/6 pans included



Dixell digital temperature controls

14.5" (deep) cutting board included



Stainless steel interior and exterior

Heavy duty casters

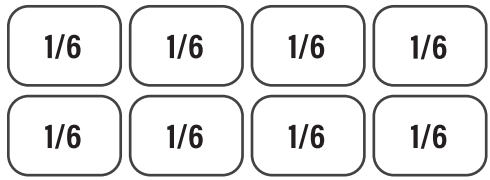


Self-closing door with stay open feature

Adjustable heavy duty shelving



1/6 pan count: 8



Insulated lid to keep food fresh



SPECIFICATIONS

Capacity (Cubic Feet)	6.56
Capacity (Litres)	185.75
Exterior Unit Dimensions (in)	28.75" (w) x 31.5"* (d) x 43.75" (h) *Without cutting board
Interior Unit Dimensions (in)	25" (w) x 20" (d) x 23" (h)
Packing Dimensions (in)	33.75" (w) x 35.75" (d) x 48.5" (h)
Net Weight (lb)	202
Material	Stainless steel
Doors	1
Swivel Casters	4
Adjustable Shelves	1
Shelf Dimensions	24.5" (w) x 16.25" (d)
Pan Capacity	8 x 1/6 pan (6" depth)
Cutting Board Size	29" (w) x 14.5" (d)
Temperature	(0.5°C) - (5°C)
Ambient Temperature	<30°C
Ambient Humidity	<55%
Refrigerant (CFC-Free)	R290
Input Power (W)	225
Amperage (A)	2.0
Voltage (V)	115V/60Hz
Plug Type	NEMA 5-15P



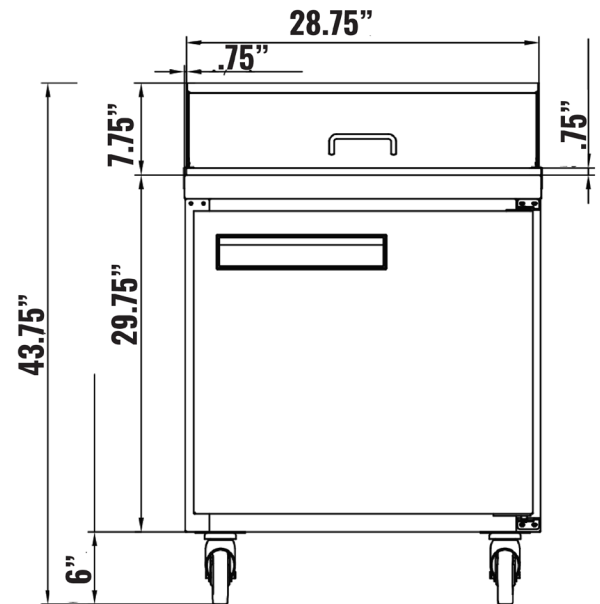
NEMA 5-15P



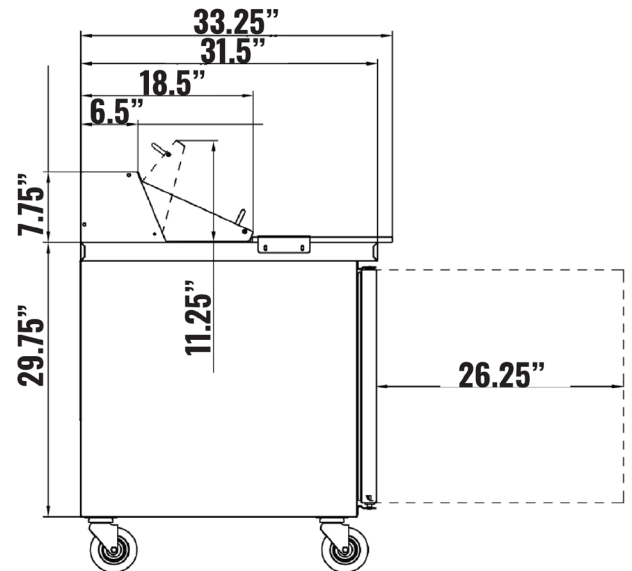
Intertek



FRONT VIEW



SIDE VIEW



CUSTOMER SUPPORT



📷 We're on social media! 📺

1.800.567.3620

www.newairrefrigeration.ca

MORE PRODUCTS!



Design and specifications can change without prior notice for product improvement