



**ZANOTTI Spa**  
Via M.L. King, 30  
46020 - Pegognaga (MN) - ITALY  
Tel. +39 0376 5551  
Fax +39 0376 536554  
info@zanotti.com

# Technical specifications

Version 1.1

Model:

**BSB235T19F**

Class:

**Uniblock SB**

## Technical data

Characteristics	M.U.	Value
Working temperature	°C	-15 ÷ -25
Starting mode		Direct
Voltage	Volt-Ph-Hz	230/3~/60
Refrigerant		R404A
Defrost		Hot gas
Mass	Kg	165
<b>Compressor</b>		
Type		Hermetic
Nominal power	kW	2,6
<b>Condenser</b>		
Air flow	m <sup>3</sup> /h	3200
<b>Evaporator</b>		
Air flow	m <sup>3</sup> /h	3450
Air throw	m <sup>**</sup>	10



## Power data

Tc °C	Ta °C	P watt	P Kcal/h	V120 m <sup>3</sup>	V100 m <sup>3</sup>	V80 m <sup>3</sup>	
	20	6526	5612	108	96	84	
	25	6157	5295	99	88	77	
	-15	30	5758	4952	89	79	69
	35	5326	4580	79	70	62	
	40	4860	4180	68	61	53	
	45	4356	3746	57	51	44	
	20	5314	4570	79	70	62	
	25	5018	4315	72	64	56	
-20	30	4698	4040	65	58	51	
	35	4339	3732	57	51	44	
	40	3920	3371	48	43	37	
	45	3425	2946	37	33	29	
	20	4244	3650	55	49	43	
	25	4015	3453	50	44	39	
	-25	30	3721	3200	44	39	34
	35	3387	2913	37	33	29	
	40	3036	2611	30	27	23	
	45	2694	2317	23	20	18	

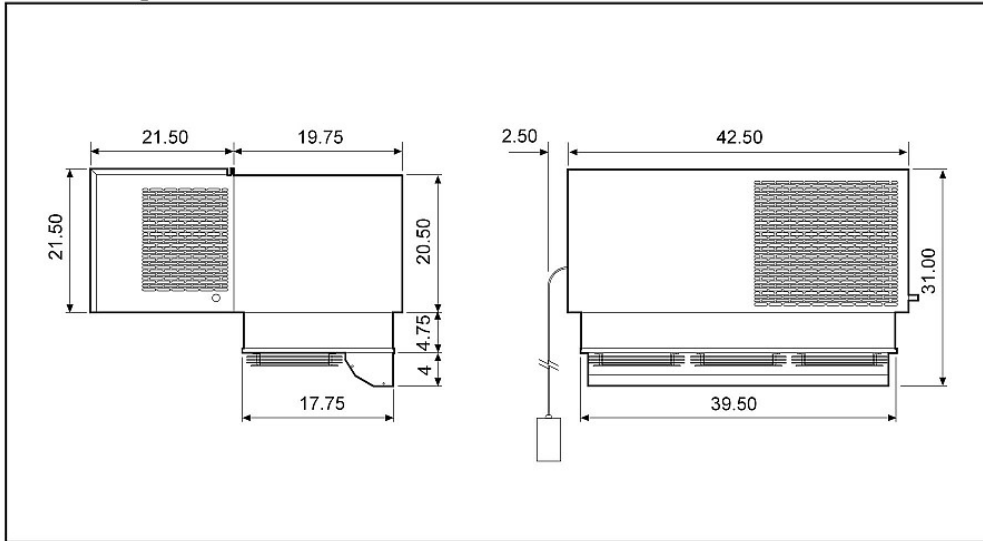
\*\* Use air throw as a base. Air throw is affected by many factors such as height of room, product storage, location of evaporator, etc.

Tc: Coldroom temp. - Ta: External temp.

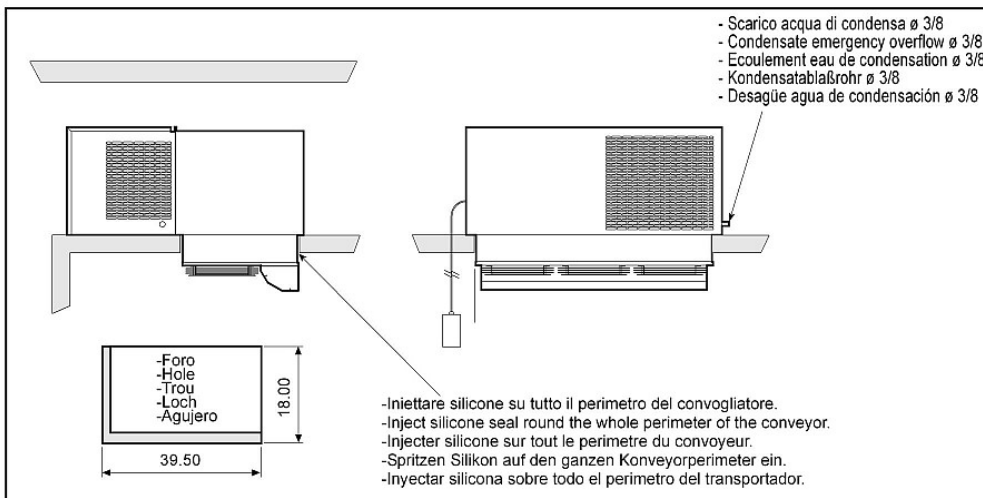
P: Refrigerant capacity - V: Recommended cold-room volume

Dimensioni - Dimensions - Dimensions  
Abmessungen - Dimensiones

**SB235/ETL**

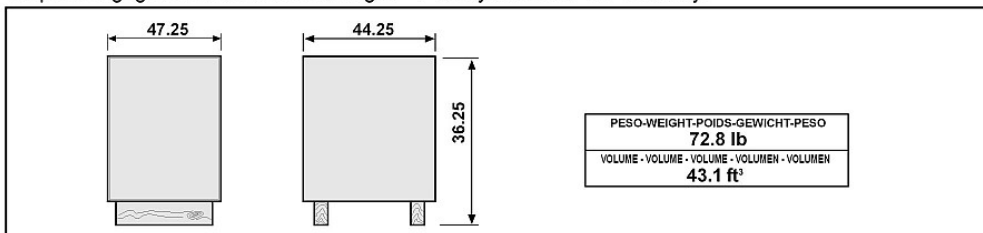


Schema di montaggio - Mounting scheme - Schema de montage  
Montageschema - Esquema de montaje



- \* Raccomandazioni in sede di installazione e per il controllo fornite sul manuale di installazione
- \* To be advised at time of order for factory installation and operating instructions
- \* Recommendations au moments d'installations et pour le contrôle fournis sur le manuel d'installation
- \* Empfehlungen für die Installationsphase und zur Kontrolle, die im Handbuch zur Installation enthalten sind
- \* Por cuanto respecta a recomendaciones de instalación y control ver manual de instalación

Peso e misure imballi - Packing weight and dimensions - Poids et dimensions emballages  
Verpackungsgewicht und-abmessungen - Peso y medidas del embalaje



**ZANOTTI S.p.A.**