



460 Southport Commerce Blvd.  
 Spartanburg SC 29306  
 Phone: 864-574-6004  
 Fax: 864-574-6005  
 www.ojedausa.com  
 sales@ojedausa.com

Project: \_\_\_\_\_  
 Model #: \_\_\_\_\_  
 Item #: \_\_\_\_\_ Qty: \_\_\_\_\_  
 Approval: \_\_\_\_\_

# DIP CABINET

# 8 FLAVOR DIP



**ADJUSTABLE THERMOSTAT**  
 Freezers are equipped with a mechanical thermostat that allows the users to adjust temperature that best fits their products needs. Set from factory at -4°F.

**INTERNAL LED LIGHTING**  
 Internal LED lighting offers a more energy efficient and long lasting way to illuminate the cabinet.

**R-290 REFRIGERANT**  
 Equipped with R-290 refrigerant, an eco-friendly alternative that meets the EPA's environmental impact regulations.

**CASTERS**  
 Equipped with durable casters that allow easy and fast movement in the store.

**RING TUB HOLDERS**  
 Space for 8 3-gallon tubs and storage beneath for 6 additional tubs.

**SNEEZE GUARD**  
 Comes with a clear plastic sneeze guard that is removeable for easy cleaning.

**HIGH IMPACT ABS FRAME**  
 Made of a high impact durable plastic, this frame assures a long-term life span.

**OPERATING TEMPERATURE**  
 0°-5°F

**CUSTOM GRAPHICS**  
 Standard color: white

Dimensions			Crated Dimensions			Tub Holders	HP	Voltage	NEMA config	Amps	Crated Weight		
	W	D	H		W	D	H	8	1/3	120	5-15P	5.4	325 lbs
(in)	50.4	26.4	52	(in)	51.8	27.7	43.4	Net Capacity (cf): 14			Energy Consumption: 3.52 kw-hr/day		
(mm)	1280	670	1320	(mm)	1315	702	1100						

\*Inches rounded up one decimal place \*Specifics may change without notification



## CABINET CONSTRUCTION

- High-density, CFC-Free, polyurethane insulation
- Low-E tempered sliding glass lids with lock and keys
- High impact ABS top frame
- Exterior: galvanized metal cabinet with powder coated painted surface
- Interior: easy to clean pre-painted steel
- Heavy duty casters
- Drain plug for easy cleaning
- Lexan sneeze guard
- Holds 8-3 gallon tubs
- Stores 6-3 gallon tubs in bottom
- Internal LED lighting

## OPERATING CONDITIONS

- The unit is best suited for an environment where temperatures remain below 85 F and humidity does not exceed 55%
- Areas with direct sunlight should also be avoided

## OPTIONS

- Two ring tub holders
- Dip Well
- Removeable Baskets

## REFRIGERATION

- Maintenance free condenser
- Adjustable thermostat
- Easy to reach components for repairs
- Triple access air flow compressor compartment
- R-290 refrigerant

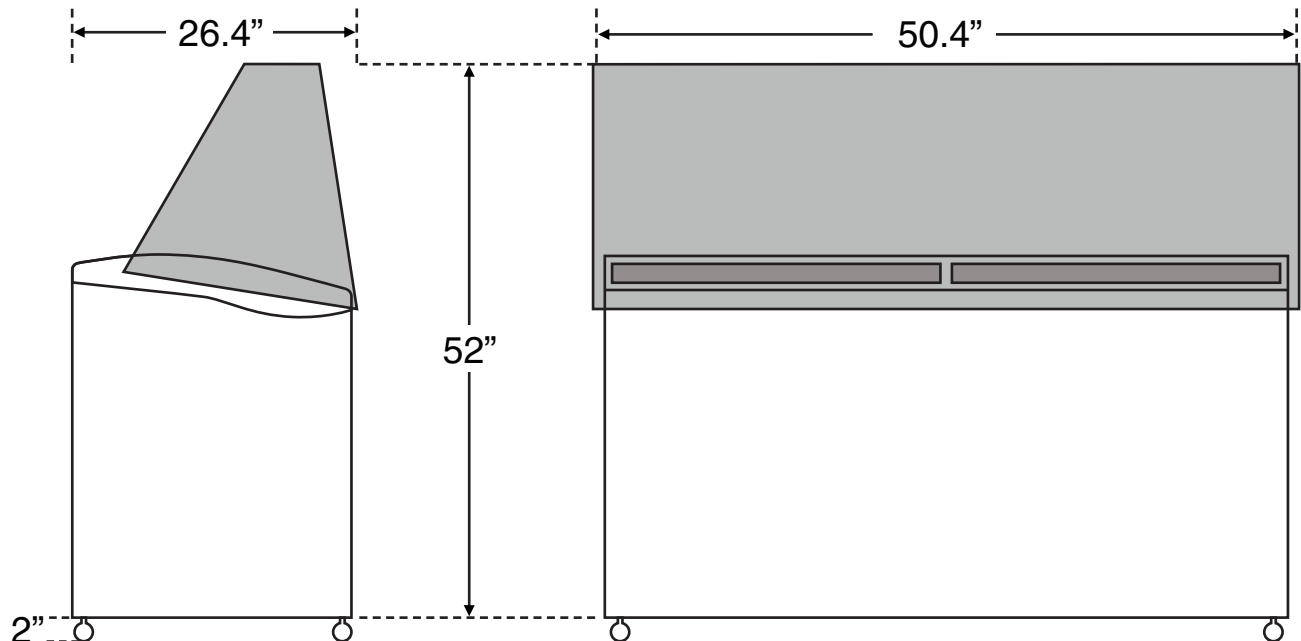
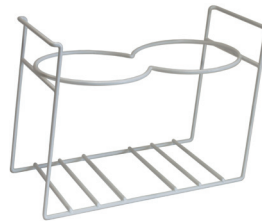
## WARRANTY

- 3 year parts and labor warranty
- 5 year compressor part

### DIP WELL



### TWO RING TUB HOLDERS



\*Specifics may change without notification

