

THUNDERBIRD®



TB-300E

Capacity: 10-15 lbs.(5-7 kg) per minute on first grind through a 3/16" plate

Overall Dimensions: L 555 m/m H 255 m/m W 390 m/m

Base Dimensions: L 540 m/m H 240 m/m W 375 m/m

Net Weight: 25 kgs

Shipping Weight: 120 kgs/4 units

Motor: 1/2Hp, 110V/220V, 50Hz/60Hz

THUNDERBIRD
FOOD CHOPPER
MODEL: TB-300E
RATING: 115V, 60HZ, 8.5A
DATE CODE: _____



THUNDERBIRD FOOD MACHINERY INC.

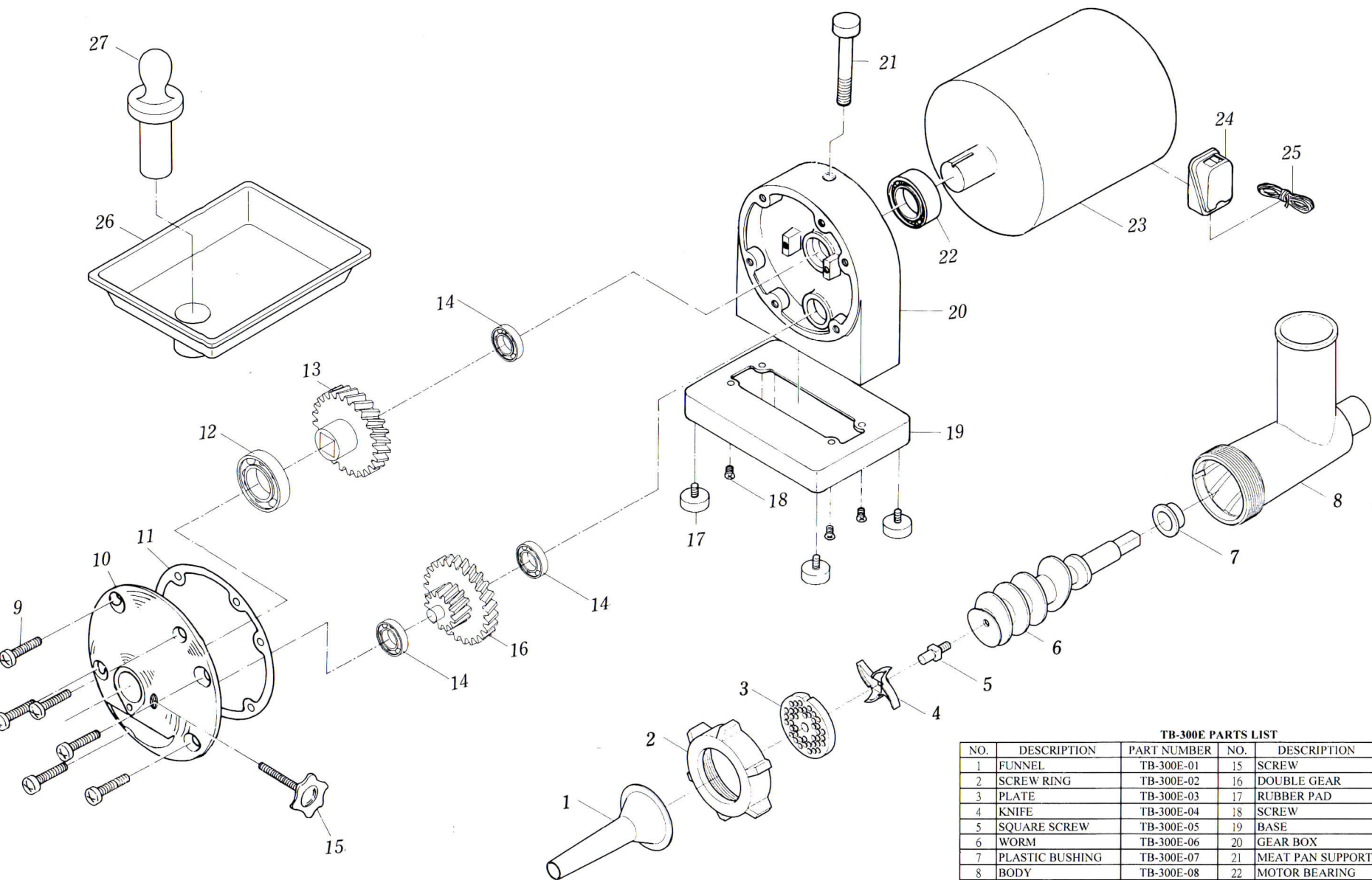
P.O. BOX 3258, BLAINE, WA. 98231 U.S.A

TEL: 1-800-7-MIXERS, (1-800-764-9377)/1-800-626-5168

1-800-366-9328, 1-604-576-8957, 1-360-366-0997

FAX: 1-360-366-0998, 604-576-8527, 604-535-4699

WEBSITE: <http://www.tbfm.com>



TB-300E PARTS LIST

NO.	DESCRIPTION	PART NUMBER	NO.	DESCRIPTION	PART NUMBER
1	FUNNEL	TB-300E-01	15	SCREW	TB-300E-15
2	SCREW RING	TB-300E-02	16	DOUBLE GEAR	TB-300E-16
3	PLATE	TB-300E-03	17	RUBBER PAD	TB-300E-17
4	KNIFE	TB-300E-04	18	SCREW	TB-300E-18
5	SQUARE SCREW	TB-300E-05	19	BASE	TB-300E-19
6	WORM	TB-300E-06	20	GEAR BOX	TB-300E-20
7	PLASTIC BUSHING	TB-300E-07	21	MEAT PAN SUPPORT	TB-300E-21
8	BODY	TB-300E-08	22	MOTOR BEARING	TB-300E-22
9	GEAR BOX SCREW	TB-300E-09	23	MOTOR	TB-300E-23
10	GEAR BOX COVER	TB-300E-10	24	SWITCH	TB-300E-24
11	OIL SEAL	TB-300E-11	25	CABLE WIRE	TB-300E-25
12	BEARING	TB-300E-12	26	MEAT PAN	TB-300E-26
13	GEAR SQUARE HOLE	TB-300E-13	27	MEAT PUSHER	TB-300E-27
14	BEARING	TB-300E-14			