

Blueair by BLUENIX

MODEL BLMI-500A

MODULAR

Perfectly Crafted Cubes Every Time,
Keeping Your Beverages and Events Cool
and Refreshing.



Produces up to 514 lbs of ice daily

Units produce individual crescent ice cubes.



Durable stainless steel cabinet and evaporator

with removable air filter.



Easy cleaning system

How to disassemble for cleaning
follow this youtube link:

https://www.youtube.com/watch?v=J_G45cNlfks&t=185s



Digital Self Diagnostic System

Power switch is accessible without
panel removal

3YEAR
WARRANTY

PARTS & LABOR

5YEAR
WARRANTY

COMPRESSOR & EVAPORATOR

Valid in the Continental United States

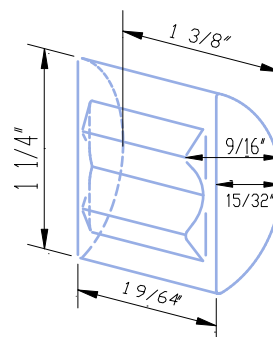
Service

- Panels easily removed and all components accessible for service.
- Removable/cleanable air filters.
- Allow 6" (15cm) clearance at rear, sides, and top for proper air circulation and ease of maintenance/service.

Plumbing

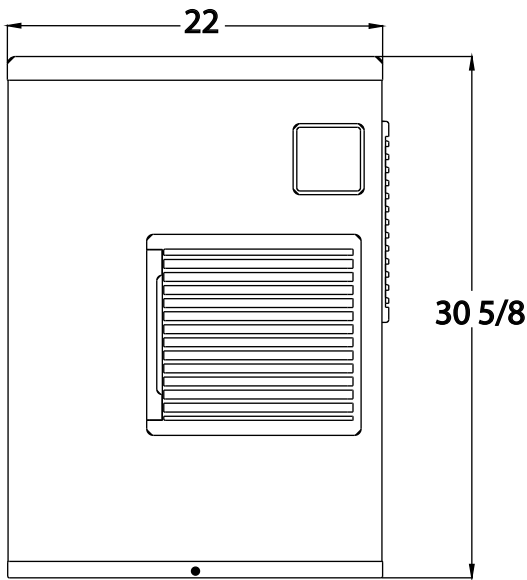
- Icemaker Water Supply Line: Minimum 3/8" Nominal DI Copper Water Tubing or Equivalent
- Icemaker Drain Line: Minimum 3/4" Nominal ID Hard Pipe or Equivalent

Cube Dimensions

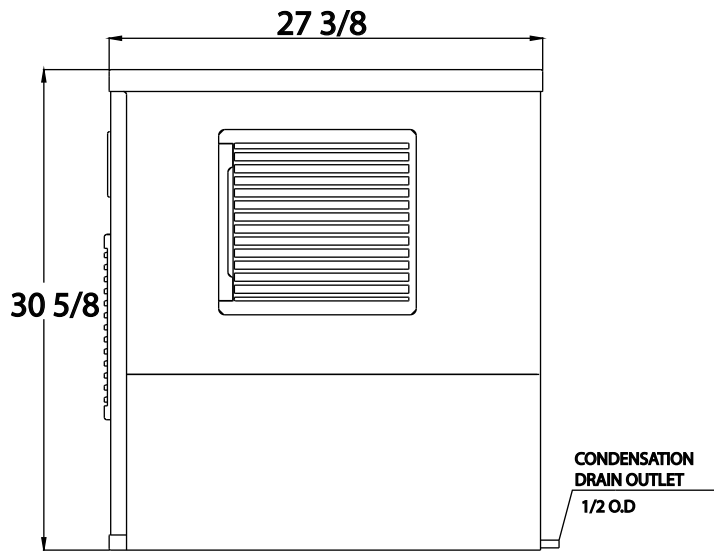


Approximate Size in inches,
image not to scale.

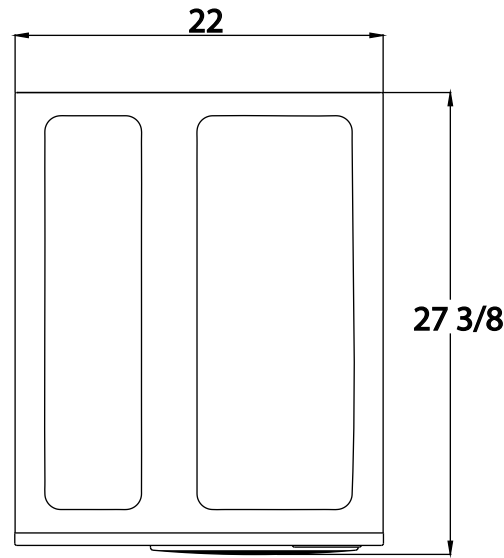
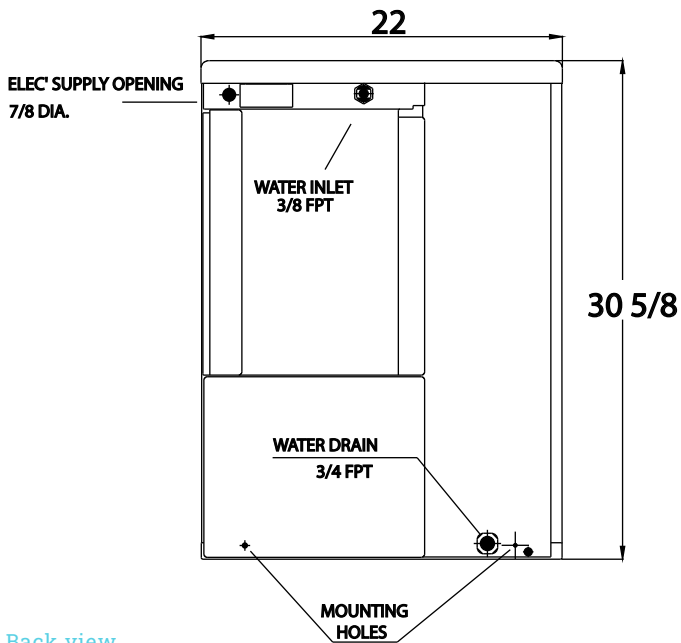
Front view



Side view



Blueair by
BLUENIX



Back view

Top view

Ice Production

Air / Water Temp Lbs. per 24 hrs		Per Cycle	
70°/50°F	90°/70°F	Lbs	Cubes
514lbs	392lbs	10.09l bs	480

Air 90°F / Water 70°F

KWH per 100 lbs.	Portable Water Gal. per 100lbs
5.8 kWh	14.76 gal

Condenser | Air-Cooled

Min. Circuit
Amperage | 14

Voltage
V/HZ/PH | 115V/60/1

Shipping
Weight | 161 lbs / 73 kg

Refrigerant | R-410A

Operating Limits

Ambient Temp Range: 45 - 100° F

Water Temp Range: 45 - 90° F

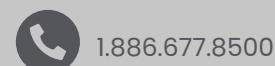
Water Pressure: 30 - 100 PSIG

Voltage Range: 100 - 130V

BLUE AIR has right to change specifications without further notice.



This product may expose you to chemicals including Diisononyl Phthalate (DINP), which is known to the State of California to cause cancer. For more information go to www.P65Warnings.ca.gov.



223 W. Rosecrans Ave., CA 90248
T: 310.808.0102

9W. Shelton Terrace #A, Hillside, NJ 07205
T: 908-688-0970